

# NZ36K7880UG

## 36" Induction Cooktop



Black Stainless Steel



### Features

- Power Boost
- WiFi Connectivity
- Bluetooth Connected to Hood
- 15 Power Levels plus Booster
- Simmer
- Melt Setting
- 5 Induction Elements – Including 4800W Dual Burner – 7"/11"
- 10.8kW Power
- 2-Stage Residual Heat Indicator

### Convenience

- Kitchen Timer
- Child Safety Lock
- Safety Shutoff
- Direct Access
- Quick Stop/Start/Pause Controls
- Demo Mode



Flex Zone



Magnetic Knob

### Signature Features

#### Flex Zone

- Large cooking area designed to adapt to different pot shapes and sizes for optimal flexibility.

#### Digital-Analog Controls

- The ultimate interface, choose between a removable magnetic analog-knob or digital touch controls.

#### Virtual Flame™ Technology

- LED surface lights shine onto pans to give the visual of gas cooking, with the precision of induction.

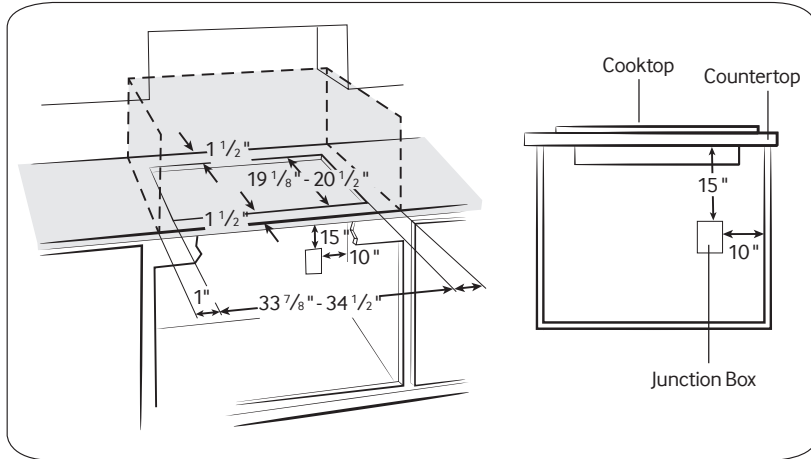
**SAMSUNG**

# NZ36K7880UG

## 36" Induction Cooktop

### Installing Your Cooktop

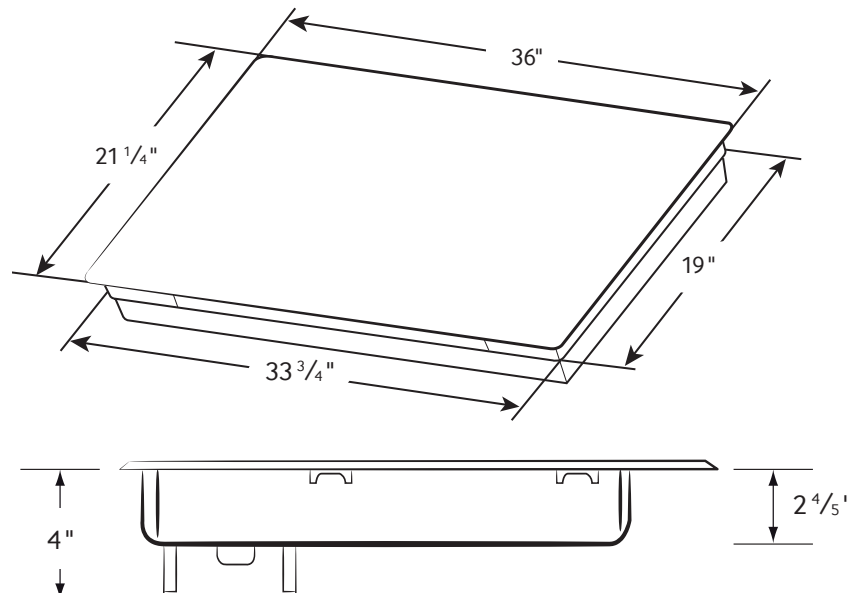
Can be installed over a single oven.



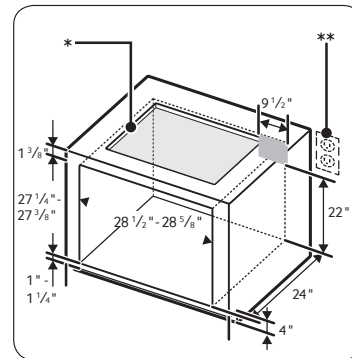
### Dimensions

#### Cooktop Dimensions

Refer to installation manual for more details.



#### Cut-out Dimensions of Countertop



- \* See built-in oven installation for complete installation instructions. See label on top of approved built-in oven models.
- \*\* Refer to installation manual of oven.

### Total Power

- 10.8kW

### Power Source

- 240V/50 Amps

### Induction Cooktop

- Left Front: Flex Zone Plus 1800W (Boost 2600W)
- Left Rear: Flex Zone Plus 1800W (Boost 2600W)
- Right Front: 8" 2200W (Boost 3200W)
- Right Rear: 6" 1400W (Boost 1800W)
- Center: 7/11" 3600W (Boost 4800W)
- Flex Zone: 7 11/16" x 15 3/4"

### Warranty

One (1) Year All Parts and Labour  
Five (5) Year Parts on Glass Cooktop and Radiant Heater

COLOUR	MODEL #	UPC CODE
Black Stainless Steel	NZ36K7880UG	887276183350

PLEASE VISIT [SAMSUNG.COM](http://SAMSUNG.COM) FOR OUR LATEST UPDATES.

Actual colour may vary. Design, specifications, and colour availability are subject to change without notice. Non-metric weights and measurements are approximate.

© 2016 Samsung Electronics Canada Inc. All rights reserved. Samsung is a registered trademark of Samsung Electronics Co., Ltd., used with permission.

# SAMSUNG